



1.8 V to 5 V Auto-Zero, In-Amp with Shutdown

Preliminary Technical Data

AD8563

FEATURES

- Low offset voltage: 25 μV max
- Low input offset drift: 0.1 $\mu\text{V}/^\circ\text{C}$ max
- High CMR: 120 dB min @ $G = 100$
- Low noise: 0.7 μV p-p from 0.01 Hz to 10 Hz
- Wide gain range: 1 to 10,000
- Single-supply operation: +2.7 V to +5.5 V
- Rail-to-rail output
- Shutdown capability
- 40°C to +125°C operation

APPLICATIONS

- Strain gauge
- Weigh scales
- Pressure sensors
- Laser diode control loops
- Portable medical instruments
- Thermocouple amplifiers

GENERAL DESCRIPTION

The AD8563¹ is a precision instrumentation amplifier featuring low noise, rail-to-rail output and a power-saving shutdown mode. The AD8563 also features low offset voltage and drift coupled with high common-mode rejection. In shutdown mode, the total supply current is reduced to less than 4 μA . The AD8563 is capable of operating from 2.7 V to 5.5 V.

With a low offset voltage of 30 μV , an offset voltage drift of 0.5 $\mu\text{V}/^\circ\text{C}$, and a voltage noise of only 1 μV p-p (0.01 Hz to 10 Hz), the AD8563 is ideal for applications where error sources cannot be tolerated. Precision instrumentation, position and pressure sensors, medical instrumentation, and strain gauge amplifiers benefit from the low noise, low input bias current, and high common-mode rejection. The small footprint and low cost are ideal for high volume applications.

PIN CONFIGURATION

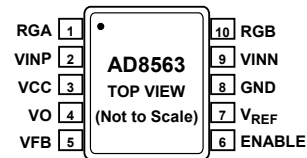


Figure 1. 10-Lead MSOP

The small package and low power consumption allow maximum channel density and minimum board size for space-critical equipment and portable systems.

The AD8563 is specified over the industrial temperature range from -40°C to +125°C. The AD8563 is available in a Pb-free, 10-lead MSOP.

¹ Patent pending.

Rev. PrA

Information furnished by Analog Devices is believed to be accurate and reliable. However, no responsibility is assumed by Analog Devices for its use, nor for any infringements of patents or other rights of third parties that may result from its use. Specifications subject to change without notice. No license is granted by implication or otherwise under any patent or patent rights of Analog Devices. Trademarks and registered trademarks are the property of their respective owners.

TABLE OF CONTENTS

Features	1	Gain Selection (Gain-Setting Resistors).....	7
Applications.....	1	Reference Connection	7
Pin Configuration.....	1	Disable Function	7
General Description	1	Output Filtering.....	7
Revision History	2	Clock Feedthrough.....	7
Specifications.....	3	Low Impedance Output.....	7
Electrical Characteristics.....	3	Maximizing Performance Through Proper Layout	8
Absolute Maximum Ratings.....	5	Power Supply Bypassing.....	8
Thermal Resistance	5	Input Overvoltage Protection	8
ESD Caution.....	5	Capacitive Load Drive	8
Typical Performance Characteristics	Error! Bookmark not defined.	Circuit Diagrams/Connections	9
Theory of Operation	6	Outline Dimensions	13
High PSR and CMR	6	Ordering Guide.....	13
1/f Noise Correction	6		
Applications.....	7		

REVISION HISTORY

06/06—Revision PrA: Initial Version

SPECIFICATIONS

ELECTRICAL CHARACTERISTICS

$V_{CC} = 5.0\text{ V}$, $V_{CM} = 2.5\text{ V}$, $V_{REF} = V_{CC}/2$, $V_{IN} = V_{INP} - V_{INN}$, $R_{LOAD} = 10\text{ k}\Omega$, $T_A = 25^\circ\text{C}$, $G = 100$, unless specified. See Table 5 for gain setting resistor values. Temperature specifications guaranteed by characterization.

Table 1.

Parameter	Symbol	Conditions	Min	Typ	Max	Unit
INPUT CHARACTERISTICS						
Input Offset Voltage	V_{OS}	$G = 1000$ $G = 100$ $G = 10$ $G = 1$			25 25 50 350	μV μV μV μV
vs. Temperature	$\Delta V_{OS}/\Delta T$	$G = 1000, -40^\circ\text{C} \leq T_A \leq +125^\circ\text{C}$ $G = 100, -40^\circ\text{C} \leq T_A \leq +125^\circ\text{C}$ $G = 10, -40^\circ\text{C} \leq T_A \leq +125^\circ\text{C}$ $G = 1, -40^\circ\text{C} \leq T_A \leq +125^\circ\text{C}$		0.01 0.01 0.1 0.7	0.1 0.1 0.3 3	$\mu\text{V}/^\circ\text{C}$ $\mu\text{V}/^\circ\text{C}$ $\mu\text{V}/^\circ\text{C}$ $\mu\text{V}/^\circ\text{C}$
Input Bias Current	I_B	$-40^\circ\text{C} \leq T_A \leq +125^\circ\text{C}$		0.3	1	nA
Input Offset Current	I_{OS}				2	nA
VREF Pin Current	I_{REF}			0.02	1	nA
Input Operating Impedance						
Differential				75 2		$\text{M}\Omega \text{pF}$
Common Mode				100 2		$\text{M}\Omega \text{pF}$
Input Voltage Range			0		3.0	V
Common-Mode Rejection	CMR	$G = 100, V_{CM} = 0\text{ V to } 2.85\text{ V}$ $G = 100, V_{CM} = 0\text{ V to } 2.85\text{ V}, -40^\circ\text{C} \leq T_A \leq +125^\circ\text{C}$ $G = 10, V_{CM} = 0\text{ V to } 2.85\text{ V}, -40^\circ\text{C} \leq T_A \leq +125^\circ\text{C}$	120 105 100	140 140 120		dB dB dB
Gain Error		$G = 100, V_{CM} = 12.125\text{ mV}, V_O = 0.075\text{ V to } 4.925\text{ V}$ $G = 10, V_{CM} = 121.25\text{ mV}, V_O = 0.075\text{ V to } 4.925\text{ V}$			0.25 0.5	% %
Gain Drift		$G = 1, 10, 100, 1000, -40^\circ\text{C} \leq T_A \leq +125^\circ\text{C}$			50	ppm/ $^\circ\text{C}$
Nonlinearity		$G = 100, V_{CM} = 12.125\text{ mV}, V_O = 0.075\text{ V to } 4.925\text{ V}$ $G = 10, V_{CM} = 121.25\text{ mV}, V_O = 0.075\text{ V to } 4.925\text{ V}$			0.006 0.035	% FS % FS
V_{REF} Range			0.9		4.1	V
OUTPUT CHARACTERISTICS						
Output Voltage High	V_{OH}		4.925			V
Output Voltage Low	V_{OL}				0.075	V
Short-Circuit Current	I_{SC}			± 35		mA
POWER SUPPLY						
Power Supply Rejection	PSR	$G = 100, V_S = 2.7\text{ V to } 5.5\text{ V}, V_{CM} = 0\text{ V}$ $G = 10, V_S = 2.7\text{ V to } 5.5\text{ V}, V_{CM} = 0\text{ V}$	100 90	120 106		dB dB
Supply Current	I_{SY}	$I_O = 0\text{ mA}, V_{IN} = 0\text{ V}$ $-40^\circ\text{C} \leq T_A \leq +125^\circ\text{C}$		1.1	1.3	mA
Supply Current Shutdown Mode	I_{SD}			2	4	μA
ENABLE INPUTS						
Logic High Voltage			2.40			V
Logic Low Voltage					0.80	V
NOISE PERFORMANCE						
Voltage Noise	$e_{n,p-p}$	$f = 0.01\text{ Hz to } 10\text{ Hz}$		0.7		$\mu\text{V p-p}$
Voltage Noise Density	e_n	$G = 100, f = 1\text{ kHz}$ $G = 10, f = 1\text{ kHz}$		35 150		nV/ $\sqrt{\text{Hz}}$ nV/ $\sqrt{\text{Hz}}$
Internal Clock Frequency				40		kHz
Signal Bandwidth ¹		$G = 1\text{ to } 1000$		1		kHz

¹ Higher bandwidths result in higher noise.

$V_S = 2.7\text{ V}$, $V_{CM} = -0\text{ V}$, $V_{REF} = V_S/2$, $V_{IN} = V_{INP} - V_{INN}$, $R_{LOAD} = 10\text{ k}\Omega$, $T_A = 25^\circ\text{C}$, $G = 100$, unless specified. See Table 5 for gain setting resistor values. Temperature specifications guaranteed by characterization.

Table 2.

Parameter	Symbol	Conditions	Min	Typ	Max	Unit
INPUT CHARACTERISTICS						
Input Offset Voltage	V_{OS}	$G = 1000$ $G = 100$ $G = 10$ $G = 1$			30 30 60 500	μV μV μV μV
Vs. Temperature	$\Delta V_{OS}/\Delta T$	$G = 1000, -40^\circ\text{C} \leq T_A \leq +125^\circ\text{C}$ $G = 100, -40^\circ\text{C} \leq T_A \leq +125^\circ\text{C}$ $G = 10, -40^\circ\text{C} \leq T_A \leq +125^\circ\text{C}$ $G = 1, -40^\circ\text{C} \leq T_A \leq +125^\circ\text{C}$		0.1	0.5	$\mu\text{V}/^\circ\text{C}$ $\mu\text{V}/^\circ\text{C}$ $\mu\text{V}/^\circ\text{C}$ $\mu\text{V}/^\circ\text{C}$
Input Bias Current	I_B	$-40^\circ\text{C} \leq T_A \leq +125^\circ\text{C}$		0.3	1	nA
Input Offset Current	I_{OS}				2	nA
VREF Pin Current	I_{REF}			0.02	1	nA
Input Operating Impedance						
Differential				75 2		$\text{M}\Omega \text{pF}$
Common Mode				100 2		$\text{M}\Omega \text{pF}$
Input Voltage Range			0		0.7	V
Common-Mode Rejection	CMR	$G = 100, V_{CM} = 0\text{ V to } 0.7\text{ V}$ $G = 100, V_{CM} = 0\text{ V to } 0.7\text{ V}, -40^\circ\text{C} \leq T_A \leq +125^\circ\text{C}$ $G = 10, V_{CM} = 0\text{ V to } 0.7\text{ V}$	100 86	110		dB
Gain Error		$G = 100, V_{CM} = 4.125\text{ mV}, V_O = 0.075\text{ V to } 2.625\text{ V}$ $G = 10, V_{CM} = 4.125\text{ mV}, V_O = 0.075\text{ V to } 2.625\text{ V}$	86	95		dB
Gain Drift		$G = 1, 10, 100, 1000, -40^\circ\text{C} \leq T_A \leq +125^\circ\text{C}$		0.2	0.35	%
Nonlinearity		$G = 100, V_{CM} = 4.125\text{ mV}, V_O = 0.075\text{ V to } 2.625\text{ V}$ $G = 10, V_{CM} = 41.25\text{ mV}, V_O = 0.075\text{ V to } 2.625\text{ V}$		0.015	0.5	% FS
V_{REF} Range			0.9		1.8	V
OUTPUT CHARACTERISTICS						
Output Voltage High	V_{OH}		2.625			V
Output Voltage Low	V_{OL}				0.075	V
Short-Circuit Current	I_{SC}			± 5		mA
POWER SUPPLY						
Power Supply Rejection	PSR	$G = 100, V_S = 2.7\text{ V to } 5.5\text{ V}, V_{CM} = 0\text{ V}$	100	120		dB
Supply Current	I_{SY}	$I_O = 0\text{ mA}, V_{IN} = 0\text{ V}$ $-40^\circ\text{C} \leq T_A \leq +125^\circ\text{C}$		0.9	1.2	mA
Supply Current Shutdown Mode	I_{SD}			2	4	μA
ENABLE INPUTS						
Logic High Voltage			1.4			V
Logic Low Voltage					0.5	V
NOISE PERFORMANCE						
Voltage Noise	$e_{n\text{ p-p}}$	$f = 0.01\text{ Hz to } 10\text{ Hz}$		1		$\mu\text{V p-p}$
Voltage Noise Density	e_n	$G = 100, f = 1\text{ kHz}$ $G = 10, f = 1\text{ kHz}$		45		$\text{nV}/\sqrt{\text{Hz}}$
Internal Clock Frequency				180		$\text{nV}/\sqrt{\text{Hz}}$
Signal Bandwidth ¹		$G = 1\text{ to } 1000$		40		kHz
				1		kHz

¹Higher bandwidths result in higher noise.

ABSOLUTE MAXIMUM RATINGS

Table 3.

Parameter	Ratings
Supply Voltage	6 V
Input Voltage	+V _{SUPPLY}
Differential Input Voltage ¹	±V _{SUPPLY}
Output Short-Circuit Duration to GND	Indefinite
Storage Temperature Range (RM Package)	−65°C to +150°C
Operating Temperature Range	−40°C to +125°C
Junction Temperature Range (RM Package)	−65°C to +150°C
Lead Temperature Range (Soldering, 10 sec)	300°C

¹ Differential input voltage is limited to ±5.0 V, the supply voltage, or whichever is less.

Stresses above those listed under Absolute Maximum Ratings may cause permanent damage to the device. This is a stress rating only; functional operation of the device at these or any other conditions above those indicated in the operational section of this specification is not implied. Exposure to absolute maximum rating conditions for extended periods may affect device reliability.

THERMAL RESISTANCE

θ_{JA} is specified for the worst-case conditions, that is, a device soldered in a circuit board for surface-mount packages.

Table 4.

Package Type	θ_{JA} ¹	θ_{JC}	Unit
10-Lead MSOP (RM)	110	32.2	°C/W

¹ θ_{JA} is specified for the nominal conditions, that is, θ_{JA} is specified for the device soldered on a circuit board.

ESD CAUTION

ESD (electrostatic discharge) sensitive device. Electrostatic charges as high as 4000 V readily accumulate on the human body and test equipment and can discharge without detection. Although this product features proprietary ESD protection circuitry, permanent damage may occur on devices subjected to high energy electrostatic discharges. Therefore, proper ESD precautions are recommended to avoid performance degradation or loss of functionality.



THEORY OF OPERATION

The AD8563 is a precision current-mode correction instrumentation amplifier capable of single-supply operation. The current-mode correction topology results in excellent accuracy, without the need for trimmed resistors on the die.

Figure 2 shows a simplified diagram illustrating the basic operation of the AD8563 (without correction). The circuit consists of a voltage-to-current amplifier (M1 to M6), followed by a current-to-voltage amplifier (R2 and A1). Application of a differential input voltage forces a current through External Resistor R1, resulting in conversion of the input voltage to a signal current. Transistor M3 to Transistor M6 transfer twice this signal current to the inverting input of the op amp A1. Amplifier A1 and External Resistor R2 form a current-to-voltage converter to produce a rail-to-rail output voltage at V_{OUT} .

Op amp A1 is a high precision, auto-zero amplifier. This amplifier preserves the performance of the autocorrecting, current-mode amplifier topology while offering the user a true voltage-in, voltage-out instrumentation amplifier. Offset errors are corrected internally.

An external reference voltage is applied to the non-inverting input of A1 to set the output reference level. External Capacitor C2 filters out correction noise.

The pin out of the AD8563 allows the user to access the signal current from the output of the voltage-to-current converter (Pin 5). The user can choose to use the AD8563 as a current-output device instead of a voltage-output device. See Figure 7 for circuit connections.

HIGH PSR AND CMR

Common-mode rejection and power supply rejection indicate the amount that the offset voltage of an amplifier changes when its common-mode input voltage or power supply voltage changes. The auto-correction architecture of the AD8563 continuously corrects for offset errors, including those induced by changes in input or supply voltage, resulting in exceptional rejection performance. The continuous auto-correction provides great CMR and PSR performances over the entire operating temperature range (-40°C to $+125^{\circ}\text{C}$).

The parasitic resistance in series with R2 does not degrade CMR but causes a small gain error and a very small offset error. Therefore, an external buffer amplifier is not required to drive the V_{REF} pin to maintain excellent CMR performance. This helps reduce system costs over conventional instrumentation amplifiers.

1/f NOISE CORRECTION

Flicker noise, also known as 1/f noise, is noise inherent in the physics of semiconductor devices and decreases 10 dB per decade. The 1/f corner frequency of an amplifier is the frequency at which the flicker noise is equal to the broadband noise of the amplifier. At lower frequencies, flicker noise dominates causing large errors in low frequency or dc applications.

Flicker noise is effectively visible as a slowly varying offset error, which the auto-correction topology of the AD8563 reduces. This allows the AD8563 to have lower noise near dc than standard low noise instrumentation amplifiers.

APPLICATIONS

GAIN SELECTION (GAIN-SETTING RESISTORS)

The gain of the AD8563 is set according to

$$G = 2 \times (R2/R1) \quad (1)$$

Table 5 lists the recommended resistor values. Resistor R1 must be at least 3.92 k Ω for proper operation. The use of resistors larger than the recommended values results in higher offset and higher noise.

Gain accuracy depends on the matching of R1 and R2. Any mismatch in resistor values results in a gain error. Resistor value errors due to drift will affect gain by the amount indicated by Equation 1. However, due to the current-mode operation of the AD8563, a mismatch in R1 and R2 does not degrade the CMR.

Take care when selecting and positioning the gain setting resistors. The resistors should be made of the same material and package style. Surface-mount resistors are recommended. They should be positioned as close together as possible to minimize TC errors.

To maintain good CMR vs. frequency, the parasitic capacitance on the R1 gain setting pins should be minimized and matched. This also helps maintain a low gain error at $G < 10$.

If resistor trimming is required to set a precise gain, trim Resistor R2 only. Using a potentiometer for R1 degrades the amplifier's performance.

REFERENCE CONNECTION

Unlike traditional three op amp instrumentation amplifiers, parasitic resistance in series with V_{REF} (Pin 7) does not degrade CMR performance. This allows the AD8563 to attain its extremely high CMR performance without the use of an external buffer amplifier to drive the V_{REF} pin, which is required by industry-standard instrumentation amplifiers. This helps save valuable printed circuit board space and minimizes system costs.

For optimal performance in single-supply applications, V_{REF} should be set with a low noise precision voltage reference. However, for a lower system cost, the reference voltage can be set with a simple resistor voltage divider between the supply and ground (see Figure 3). This configuration results in degraded output offset performance if the resistors deviate from their ideal values. In dual-supply applications, V_{REF} can be connected to ground.

The V_{REF} pin current is approximately 20 pA, and as a result, an external buffer is not required.

DISABLE FUNCTION

The AD8563 provides a shutdown function to conserve power when the device is not needed. Although there is a 1 μ A pull-up current on the ENABLE pin, Pin 6 should be connected to the positive supply for normal operation and to the negative supply to turn the device off. It is not recommended to leave Pin 6 floating.

Turn-on time upon switching Pin 6 high is dominated by the output filters. When the device is disabled, the output becomes high impedance, enabling a multiplexing application of multiple AD8563 instrumentation amplifiers.

OUTPUT FILTERING

Filter Capacitor C2 is required to limit the amount of switching noise present at the output. The recommended bandwidth of the filter created by C2 and R2 is 1.4 kHz. The user should first select R1 and R2 based on the desired gain, then select C2 based on

$$C2 = 1/(1400 \times 2 \times \pi \times R2) \quad (2)$$

Addition of another single-pole RC filter of 1.4 kHz on the output (R3 and C3 in Figure 3 to Figure 5) is required for bandwidths greater than 10 Hz. These two filters produce an overall bandwidth of 1 kHz.

When driving an ADC, the recommended values for the second filter are $R3 = 100 \Omega$ and $C3 = 1 \mu\text{F}$. This filter is required to achieve the specified performance. It also acts as an anti-aliasing filter for the ADC. If a sampling ADC is not being driven, the value of the capacitor can be reduced, but the filter frequency should remain unchanged.

For applications with low bandwidths (<10 Hz), only the first filter is required. In this case, the high frequency noise from the auto-zero amplifier (output amplifier) is not filtered before the following stage.

CLOCK FEEDTHROUGH

The AD8563 uses two synchronized clocks to perform the auto-correction. The input voltage-to-current amplifiers are corrected at 60 kHz.

Trace amounts of these clock frequencies can be observed at the output. The amount of feedthrough is dependent upon the gain, because the auto-correction noise has an input and output referred term. The correction feedthrough is also dependent upon the values of the external filters R2/C2, and R3/C3.

LOW IMPEDANCE OUTPUT

For applications where a low output impedance is required, the circuit in Figure 5 should be used. This provides the same filtering performance as shown in the configuration in Figure 6.

MAXIMIZING PERFORMANCE THROUGH PROPER LAYOUT

To achieve the maximum performance of the AD8563, care should be taken in the circuit board layout. The PC board surface must remain clean and free of moisture to avoid leakage currents between adjacent traces. Surface coating of the circuit board reduces surface moisture and provides a humidity barrier, reducing parasitic resistance on the board.

Care must be taken to minimize parasitic capacitance on Pin 1 and Pin 10 (Resistor R1 connections). Traces from Pin 1 and Pin 10 to R1 should be kept short and symmetric. Excessive capacitance on these pins will result in a gain error. This effect is most prominent at low gains ($G < 10$).

For high impedance sources, the PC board traces from the AD8563 inputs should be kept to a minimum to reduce input bias current errors.

POWER SUPPLY BYPASSING

The AD8563 uses internally generated clock signals to perform the auto-correction. As a result, proper bypassing is necessary to achieve optimum performance. Inadequate or improper bypassing of the supply lines can lead to excessive noise and offset voltage.

A 0.1 μF surface-mount capacitor should be connected between the supply lines. This capacitor is necessary to minimize ripple from the correction clocks inside the IC. For dual-supply operation (see Figure 5), a 0.1 μF (ceramic) surface-mount capacitor should be connected from each supply pin to ground.

For single-supply operation, a 0.1 μF surface-mount capacitor should be connected from the supply line to ground.

All bypass capacitors should be positioned as close to the DUT supply pins as possible, especially the bypass capacitor between the supplies. Placement of the bypass capacitor on the back of the board directly under the DUT is preferred.

INPUT OVERVOLTAGE PROTECTION

All terminals of the AD8563 are protected against ESD. In the case of a dc overload voltage beyond either supply, a large current would flow directly through the ESD protection diodes. If such a condition should occur, an external resistor should be used in series with the inputs to limit current for voltages beyond the supply rails. The AD8563 can safely handle 5 mA of continuous current, resulting in an external resistor selection of $R_{EXT} = (V_{IN} - V_S)/5 \text{ mA}$.

CAPACITIVE LOAD DRIVE

The output buffer, Pin 4, can drive capacitive loads up to 100 pF.

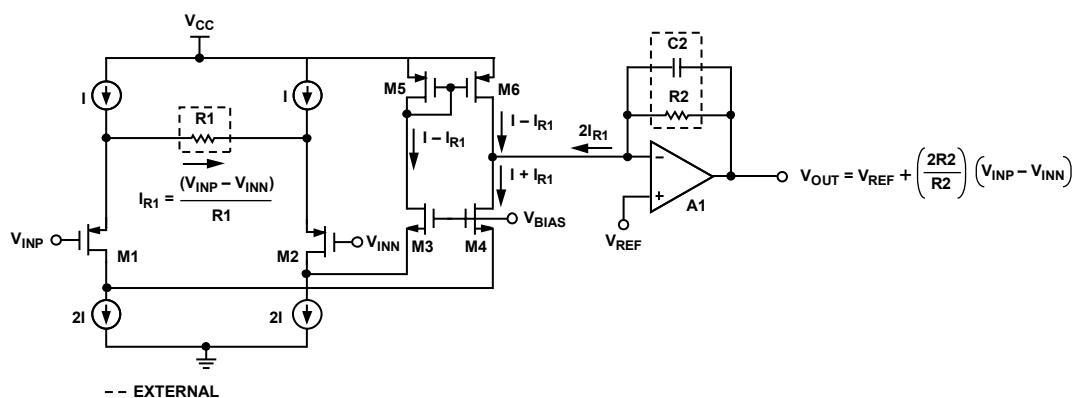


Figure 2. Simplified AD8563 Schematic

05474-030

CIRCUIT DIAGRAMS/CONNECTIONS

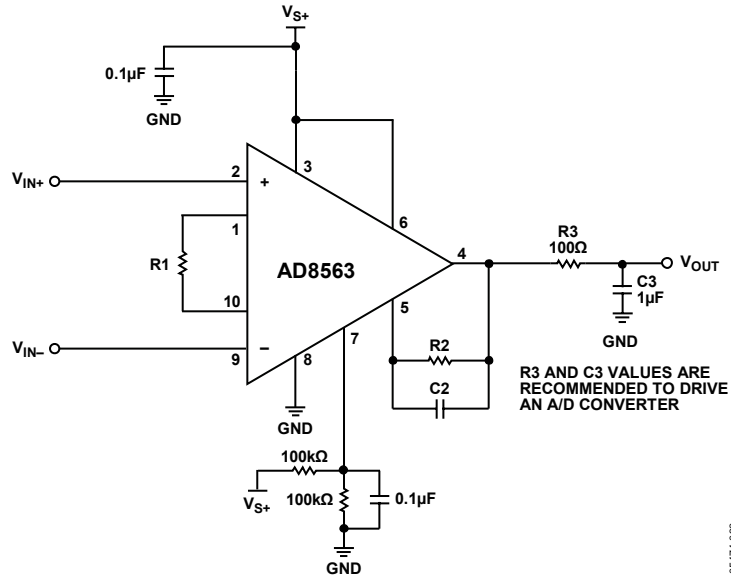


Figure 3. Single-Supply Connection Diagram Using Voltage Divider Reference

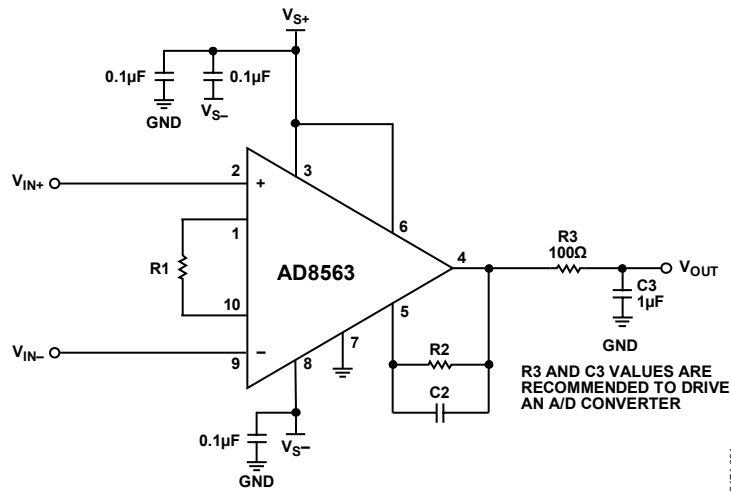
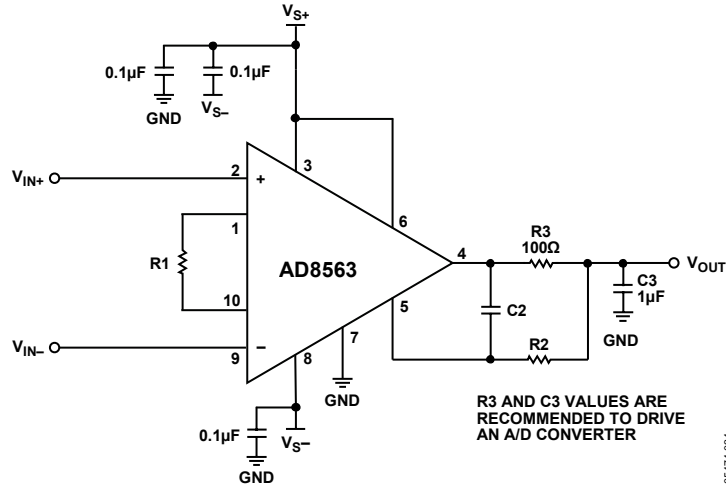
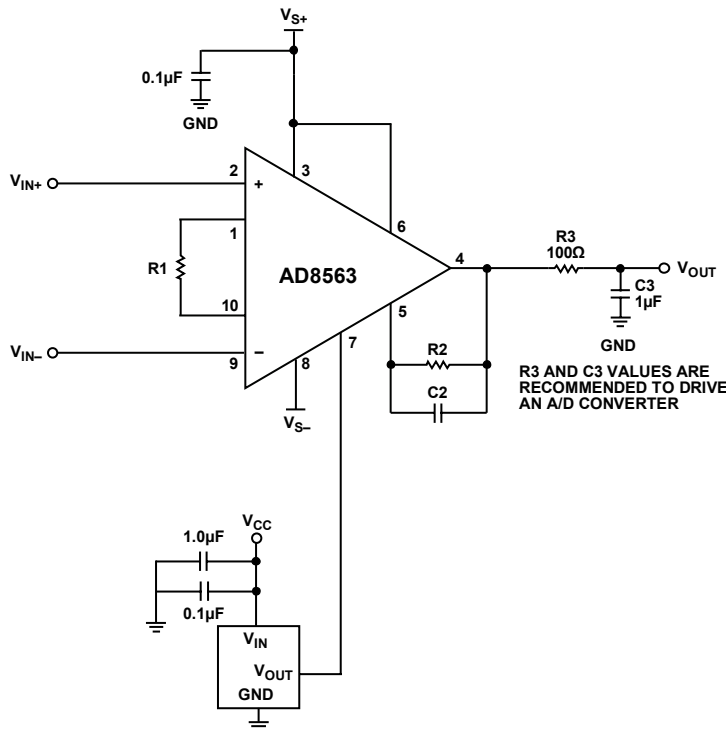


Figure 4. Dual-Supply Connection Diagram



05474-034

Figure 5. Dual-Supply Connection Diagram with Low Impedance Output



05474-035

Figure 6. Dual-Supply Connection Diagram Using IC Voltage Reference

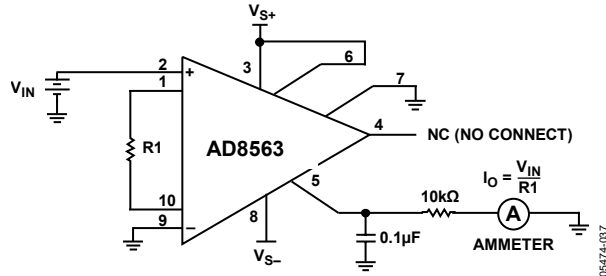


Figure 7. Voltage-to-Current Converter, 0 μA to 30 μA Source

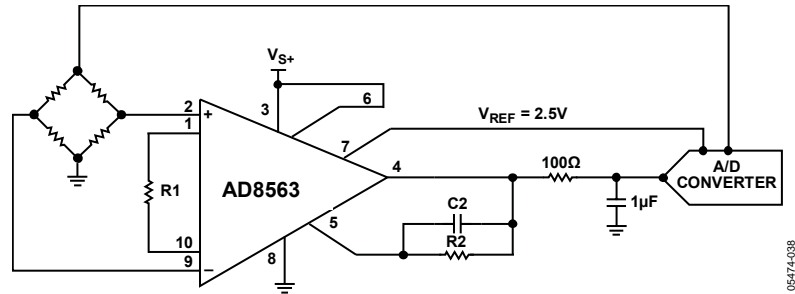


Figure 8. Example of an AD8563 Driving a Converter at $V_{S+} = 5V$

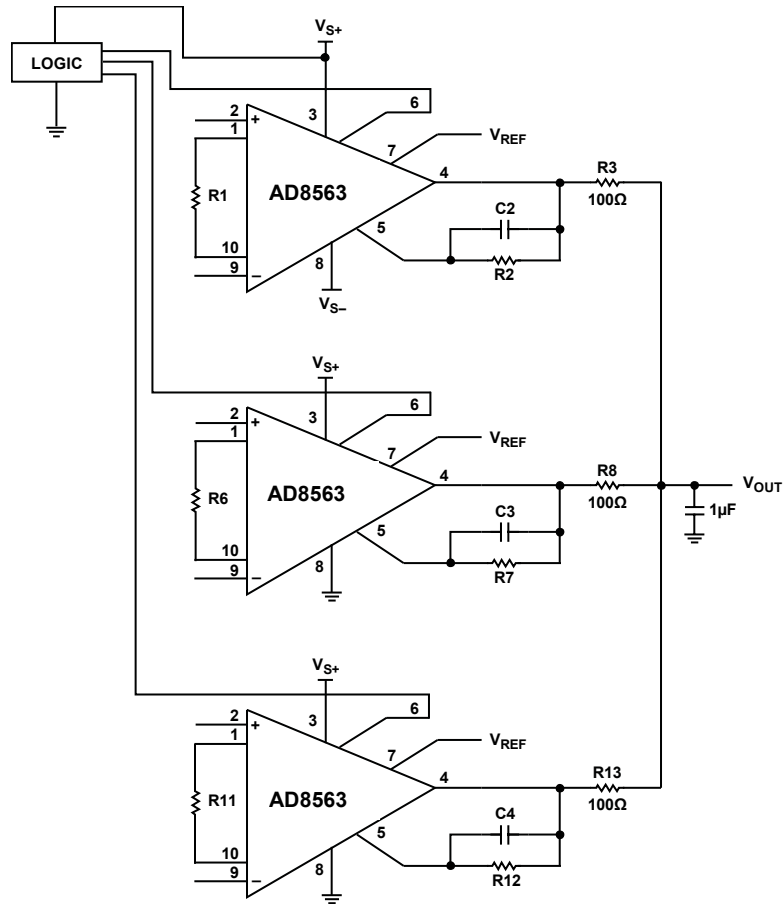


Figure 9. Multiplexed Output

05474-039

Table 5. Recommended External Component Values for Selected Gains

Desired Gain (V/V)	R1 (Ω)	R2 C2 (Ω F)	Calculated Gain
1	200 k	100 k 1200p	1
2	100 k	100 k 1200p	2
5	40.2 k	100 k 1200p	4.975
10	20 k	100 k 1200p	10
50	4.02 k	100 k 1200p	49.75
100	3.92 k	196 k 560p	100
500	3.92 k	976 k 120p	497.95
1000	3.92 k	1.96 M 56p	1000

OUTLINE DIMENSIONS

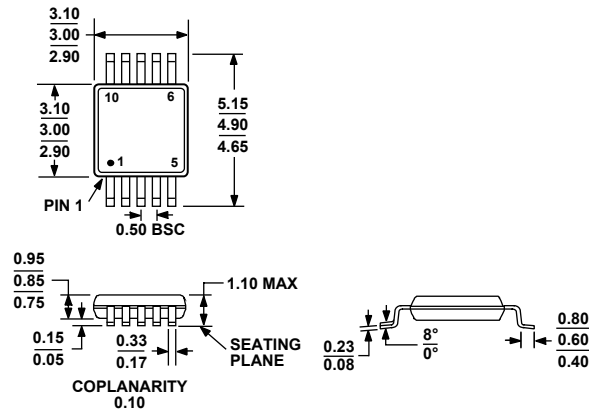


Figure 10. 10-Lead Mini Small Outline Package [MSOP] (RM-10)
 Dimensions shown in millimeters

ORDERING GUIDE

Model	Temperature Range	Package Description	Package Option	Branding
AD8563ARMZ-R2 ¹	-40°C to +125°C	10-Lead MSOP	RM-10	A09
AD8563ARMZ-REEL ¹	-40°C to +125°C	10-Lead MSOP	RM-10	A09

¹ Z = Pb-free part.

NOTES

NOTES